

# EAGLE 3D 8800 TH Series

Through Hole 3D AOI System

Bottom Side Head 3D AOI



## Advanced High Speed Inspection and Measurement Technology

### Shadowless Phase Measuring Profilometry

EAGLES 8 Projector 3D AOI inspects 100% of the PCB in 2D and 3D. Combining the 2 technologies gives a complete optical inspection of a PCB shadow free and low false calls maintaining a high flexibility in system functionality.

#### Moiré Technology



Over 10 years of integrating Phase Measuring Profilometry Technology into our TROI Solder Paste Inspection Systems has proven the most advanced 3D technology available.

- 8 Projection +Two stage lighting
- 2D and 3D simultaneous inspection algorithms
- Telecentric Lens offers higher accuracy and detection
- High Speed CPU and Image Processing
- User Friendly Graphical Interface
- Built in Library Management System
- Offline Real Time Debug Station (Optional)

### High Speed Inspection Technology

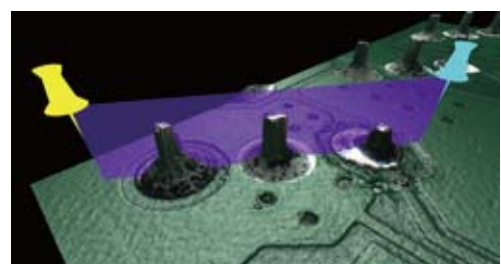
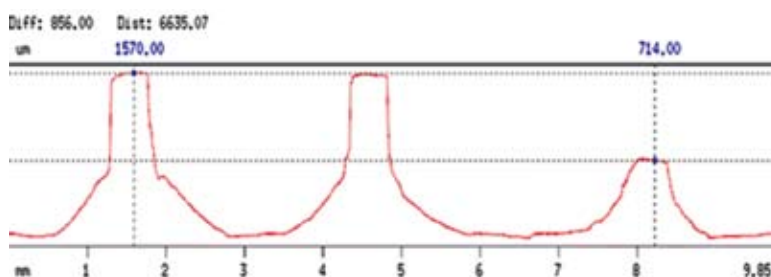
EAGLES High Speed Option inspects in 40.5cm sq. per sec. by utilizing an advanced network of more robust CPU, controller boards and our proprietary developed 9MP 15um 150fps camera with telecentric lens.



Bottom Side Camera Head

## Profiling height of Pin

Realistic 3D image with profiling the Pin height



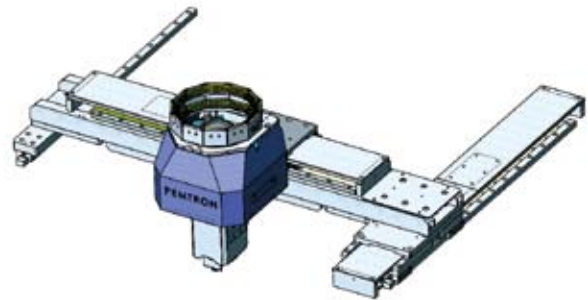
# World First TH 3D AOI

## Bottom Camera Head Gantry Type Movement

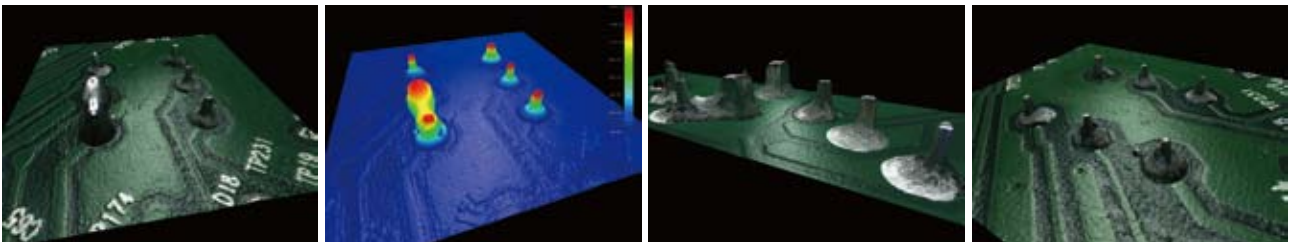
PEMTRON TH 3D AOI is the first system in the world which has bottom camera head for inline inspection.

Gantry is a type of structure which allows the movement of the camera head to shift into X/Y direction without moving the conveyor.

it provides a highly stable and precise inspection platform



## Accurate defect detection with enhanced Full 3D



## Ease of programming(Auto Teach Function)

### • PIN Common library

- User friendly Auto Teaching
- Advanced 3D imaging technology allows us to measure and recognize the geometric shapes of PCB components and automatically link them to our built parts library



### • Special Algorithm for PIN

- User can create program with not only diverse type of existing algorithms, but TH system has special algorithm as right side.



# EAGLE 3D 8800TH Series

## (Through Hole Inspection System)

### SPECIFICATIONS

Model		8800TH/THL	
Camera Technology		9MP High Speed B&W Camera	
Detection Types		Polarity(THT, SMD), Offset, Angle, Solder Joint (SMD, THT, ICs), Short circuit(Solder bridges), Solder Paste Inspection	
Lighting		RGB 3D Stroboscopic + Top Lighting	
Resolution		10um	15um
Inspection Speed		18 cm <sup>2</sup> /sec	40.05 cm <sup>2</sup> /sec
FOV (Field of View)		30 x 30 mm	45 x 45 mm
Height Range		0 – 5.5mm	
Gantry Type		Linear Motor	
PCB Specification	Working Area	Standard	Min. 50 x50mm(2x2inch) / Max. 330 x 330mm(13x13inch)
		Large Type	Min. 50 x50mm (2x2inch) / Max.510 x 510mm (20x20inch)
	PCB Thickness	0.4 ~ 7.0mm	
	Top Clearance	120mm	
Bottom Clearance		100mm	
Installation Requirement	Electrical Requirements		200 – 240 VAC, 50/60 Hz
	Air Requirement		5 Kg/cm <sup>2</sup>
	PowerConsumption		3.5kW(14A Max)
Control Unit	Control Method		PC Based Control (Windows 7, 64bit)
	Monitor		24" LED Panel
Operating	Operating Temperature		20 - 30 °C (68 – 86 °F)
Machine Dimension	WxDxH/Weight	Standard	1130 x1385 x 1615(44x55x64 inch) about 750kg(1653lbs)
		Large Type	1210 x1565 x 1615(47x62x64 inch) about 900kg(1984lbs)
Options		Barcode Reader (1D & 2D) / Touch Panel / UPS(uninterrupted power supply)	

\*Specifications subject to change without notice.



**PEMTRON CORPORATION**  
 #1406, (Byuksan Digital Valley VI,  
 Gasan-Dong) 219, Gasan digital 1-ro,  
 Geumcheon-gu, Seoul, Korea. 08501  
 Tel: +82 2 2160 5000  
 Fax: +82 2 2627 3770  
 kevin@pemtron.com

**PEMTRON TECHNOLOGY, CORP**  
 3450 Wilshire Blvd., Ste 108-73 Los Angeles,  
 CA 90010-2208  
 Tel: +1 800 850 8764(TROI)  
 steve.wong@pemtron.com

**PEMTRON EUROPE GMBH**  
 Kronstadterstrasse 4, 81677 Munich / Germany  
 Tel: +49 89 20 80 26 96 5  
 spark@pemtron.com  
 mvielsack@pemtron.com

**PEMTRON MEXICO**  
 Av. Mariano Otero 1917 Local A-5,  
 Residencial Victoria, Guadalajara, Jalisco,  
 Mexico C.P. 44560  
 Tel: +52 333 157 0636  
 jaime.arreola@pemtron.com

**PEMTRON TECHNOLOGIES ASIA PTE LIMITED**  
 Flat/Rm 1003, 10F Office Twr Hutchison  
 Logistics Ctr 18 Container Port Rd South,  
 Kwai Chung, HK  
 Tel: +852 3665 6245  
 kevin@pemtron.com

**PEMTRON(ShenZhen) TECHNOLOGY Co.,Ltd**  
 RM 508, A2 Build, Pei Hong Industry Park,  
 No.1 Ke Hui Road. Middle Zone, High-New  
 Science & Technology Park, Nanshan District,  
 Shenzhen. P.R.China  
 Tel:+86 138 2881 1057  
 tao@pemtron.com