

A1B 1~50%RH Dry Cabinet ($\pm 3\%RH$)

▶ Features:

- A1B provides flexible setting range 1~50%RH. Its best performance of humidity is 5~8%RH.
- The window frame allows the user to put Bins(optional) for classification and archiving.
- The RS-232 interface allows the user to connect the Data Logger GT-04 for acquiring the humidity and temperature data of cabinet interior .
- When the sensor runs over 365 days, the Calibration Reminding System(CRS) will remind the user.
- Built-in Flash and Buzzer Alarm will alert the user when the humidity or temperature is higher than the upper limitation.

▶ Applications:

- A1B type is designed to protect the electronic gadgets and valuable collections from moisture damage.

Function of Bins:

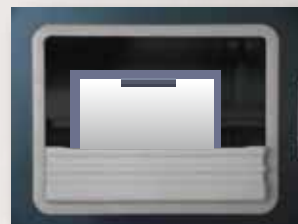
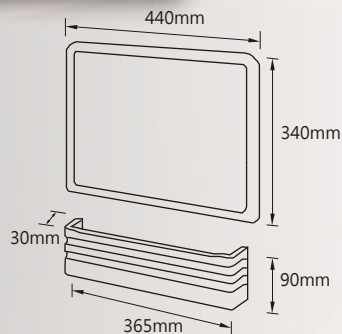
- 1.Classification:** Different doors can be classified by project, work sheet, order, client, component, storage life, expiration date or operator etc.
- 2.Retrieving:** Small components are stored in bins inside, the parts can be retrieved quickly to avoid opening the doors frequently.
- 3.Archiving:** ISO documents such as work sheet , order, memo or quality instructions etc. can be put in bins outside the door for better QA management.



Bin-Gray(optional)



Bin is inside the door.



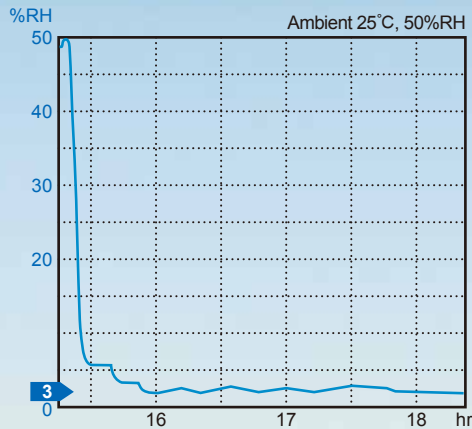
Bin is outside the door.

Bins can be installed or replaced within 10 seconds.
Maximum loading of bin: 5kgs





A1B 1~50%RH Dry Cabinet ($\pm 3\%RH$)



A1B-157

Capacity: 165L
 Shelves: 3 shelves
 Outside Dimension: W450xD452xH1045mm
 Internal Dimension: W448xD422xH870mm
 Power Consumption: Max.145W ; Ave.48.6Wh



A1B-315

Capacity: 332L
 Shelves: 3 shelves
 Outside Dimension: W905xD452xH1045mm
 Internal Dimension: W903xD422xH870mm
 Power Consumption: Max.145W ; Ave.48.6Wh

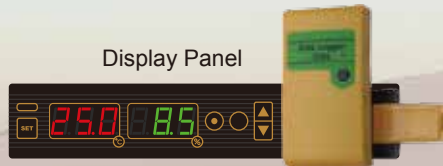


A1B-575

Capacity: 605L
 Shelves: 3 shelves
 Outside Dimension: W905xD800xH1045mm
 Internal Dimension: W903xD770xH870mm
 Power Consumption: Max.145W ; Ave.48.6Wh

Data Logger **GT04**

Display Panel



A1B-200

Capacity: 202L
 Shelves: 2 shelves
 Outside Dimension: W600xD672xH632mm
 Internal Dimension: W598xD642xH525mm
 Power Consumption: Max.145W ; Ave.48.6Wh



A1B-400

Capacity: 413L
 Shelves: 3 shelves
 Outside Dimension: W600xD672xH1275mm
 Internal Dimension: W598xD642xH1070mm
 Power Consumption: Max.145W ; Ave.48.6Wh



A1B-600

Capacity: 624L
 Shelves: 5 shelves
 Outside Dimension: W600xD672xH1815mm
 Internal Dimension: W598xD642xH1625mm
 Power Consumption: Max.145W ; Ave.48.6Wh



A1B-1200-6

Capacity: 1250L
 Shelves: 5 shelves
 Outside Dimension: W1200xD672xH1815mm
 Internal Dimension: W1198xD642xH1625mm
 Power Consumption: Max.145W ; Ave.48.6Wh

